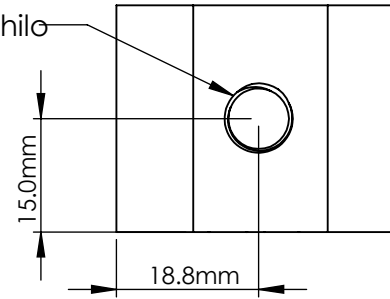
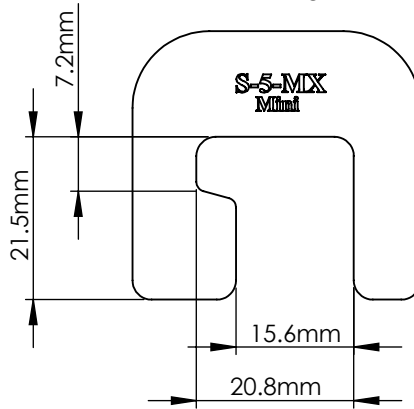


ARRIBA

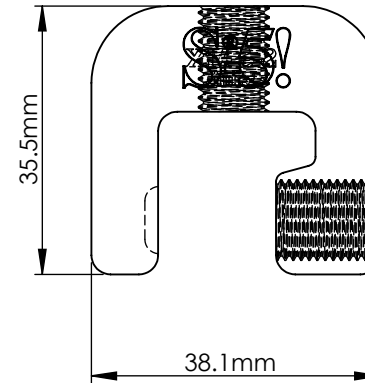
M8-1.25 Agujero con hilo



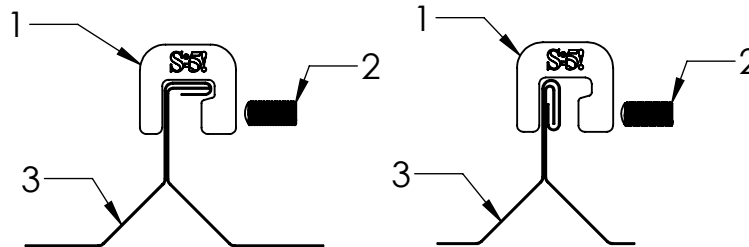
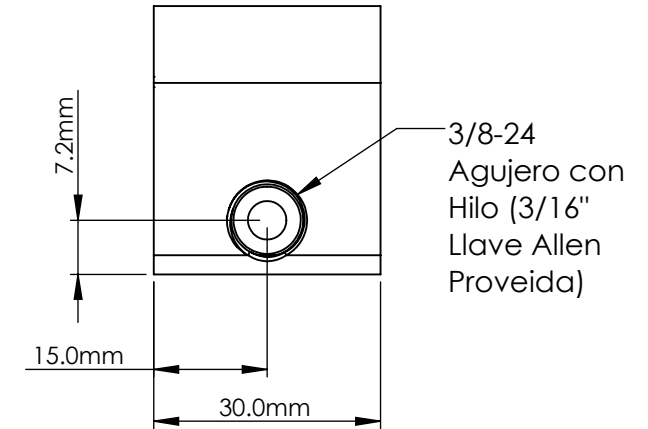
ATRÁS



FRENTE




DERECHA



Notas Generales:

1. S-5-MX Mini Clamp
2. 3/8-24 SS Tornillo Punta Redonda (3/16 Hex Drive)
3. EJEMPLO CUBIERTA

PARA INFORMACIÓN DE PRUEBA DE CARGA MECÁNICA ESPECÍFICA DE COSTURA PERMANENTE E INFORMACIÓN DE INSTALACIÓN DE LA ABRAZADERA VISITE: WWW.S-5.COM

MATERIAL: 6061M T6		METAL ROOF INNOVATIONS, LTD. 8750 WALKER RD COLORADO SPRINGS, CO 80908 719-495-0518 719-495-0045(FAX)		
EST ASSEMBLY WEIGH 87.5 g		TITLE S-5-MX Mini CCD		
SUPPLIED HARDWARE: 3/8-24 x .800" Setscrew	SCALE: 1:1	DRAWING NO. KR-B-1-B	DRAWN BY JW	DATE 4/23/2019
WEIGHTS: Clamp: 79.8 g Setscrew: 7.7 g Bolt: NO BOLT	S-5!® PRODUCTS ARE PROTECTED BY MULTIPLE U.S. PATENTS INCLUDING 5,228,248, 5,983,588 AND 6,164,033 (OTHERS ISSUED AND PENDING). EUROPEAN PATENTS ARE ALSO APPLIED FOR AND PENDING UNDER THE PATENT COOPERATION TREATY WITH DIVISIONAL FILING RIGHTS RETAINED. METAL ROOF INNOVATIONS, LTD. (LICENSOR OF S-5!® TECHNOLOGY) AGGRESSIVELY PROSECUTES PATENT INFRINGEMENT.			